

LUX CORPORATION, JAPAN



DIRECT-DRIVE PLAYER SYSTEM  
WITHOUT CARTRIDGE

**PD 272**

**OWNER'S MANUAL**

## Thank you for purchasing the PD272.

The PD272 is a disc player using a Brushless & Slotless DC Servo Motor Direct-Drive system. Slots are completely removed to eliminate unevenness of rotation caused by electromagnetics, and further provided is a turntable platter of high inertia with which the large mass of platter weight is distributed around the outer contour, thus realizing excellent Wow & Flutter characteristics and stable rotation.

For the tonearm, a straight type is adopted to eliminate resonance caused by lack of solidity which tends to be found on the tonearm exclusively designed for high-compliance type cartridge. The root portion of the tonearm is of double-pipe structure to strengthen anti-resonance measures. Further, the cartridge shell is integrated to the

tonearm, thus the resonance is suppressed down to the minimum.

The acrylic dust cover which provides excellent characteristic against howling, ultra-thin type OI-core power transformer which produces the least leakage-flux and assures stable rotation together with improved signal-to-noise ratio, and the platter mat which not only provides superb contact to disc but strongly damps even the turntable platter, etc., thus all these are important factors for a quality disc player to improve its performance.

Please read this Owner's Manual carefully before you proceed to its installation and use. This will help you to realize the excellent capabilities of the PD272.

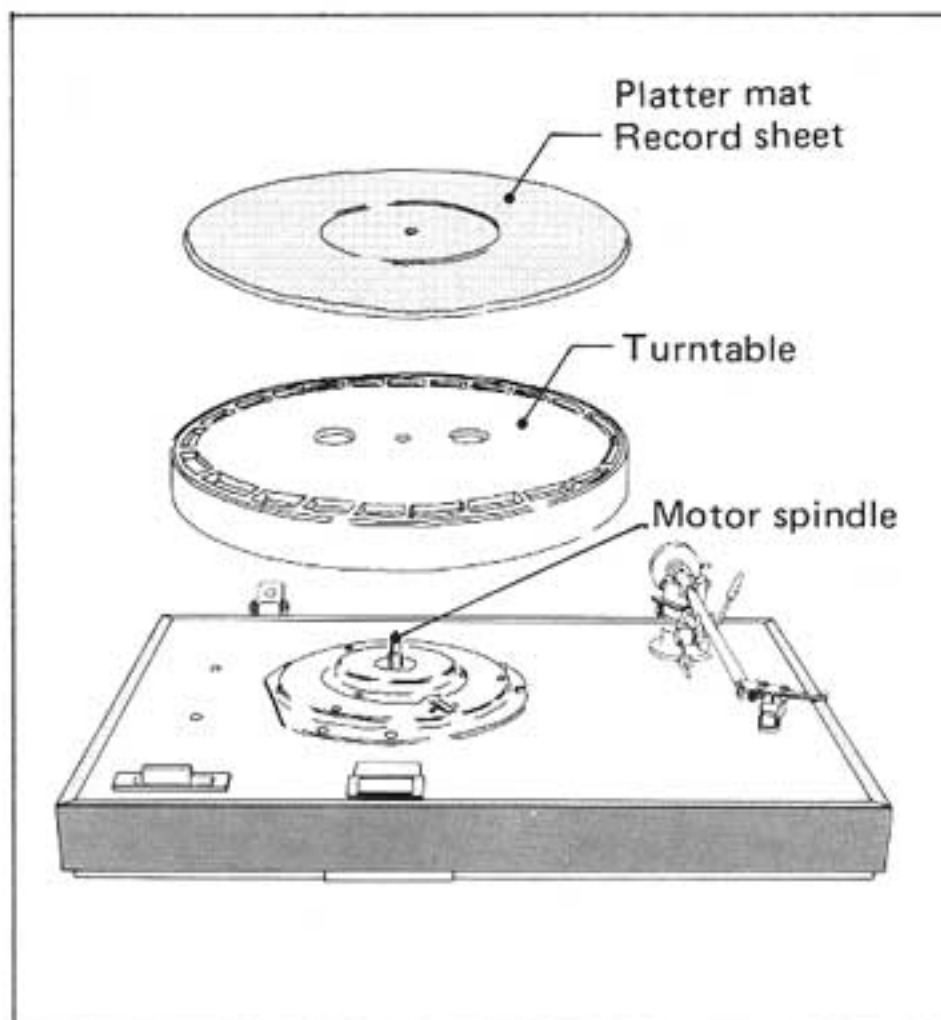


## ASSEMBLY PROCEDURE

To protect the turntable from possible damage in the course of transportation, such heavy components as turntable platter, and main-weight of tonearm or acrylic cover which tend to slip out or be broken are packed separately from the main chassis. Further the motor and the transformer are firmly fixed to the chassis by means of clamping screws. Therefore correct assembly in accordance with the drawing is required. Correct assembly is of prime importance, since both the performance of your player system and the final tonal quality depend on it.

### 1. Turntable Platter

The turntable platter and the platter mat are housed at the



bottom of the packing case. After having taken off the mat from the platter, insert carefully the platter in the center shaft of the motor, holding it by fingers through the 2 holes. Now turn the platter manually to check if correct setting-up is obtained. Then put the mat on the platter.

#### CAUTION:

Do this procedure carefully, since the turntable platter is very heavy. Rough handling may cause damage to the motor-shaft or the turntable itself.

### 2. Tonearm

#### [MAIN WEIGHT]

Take out the main-weight from the accessory compartment provided at the side of the packing case. Loosen the screw, then slide it in to the counter-weight from the rear part of the tonearm. Again, tighten it.

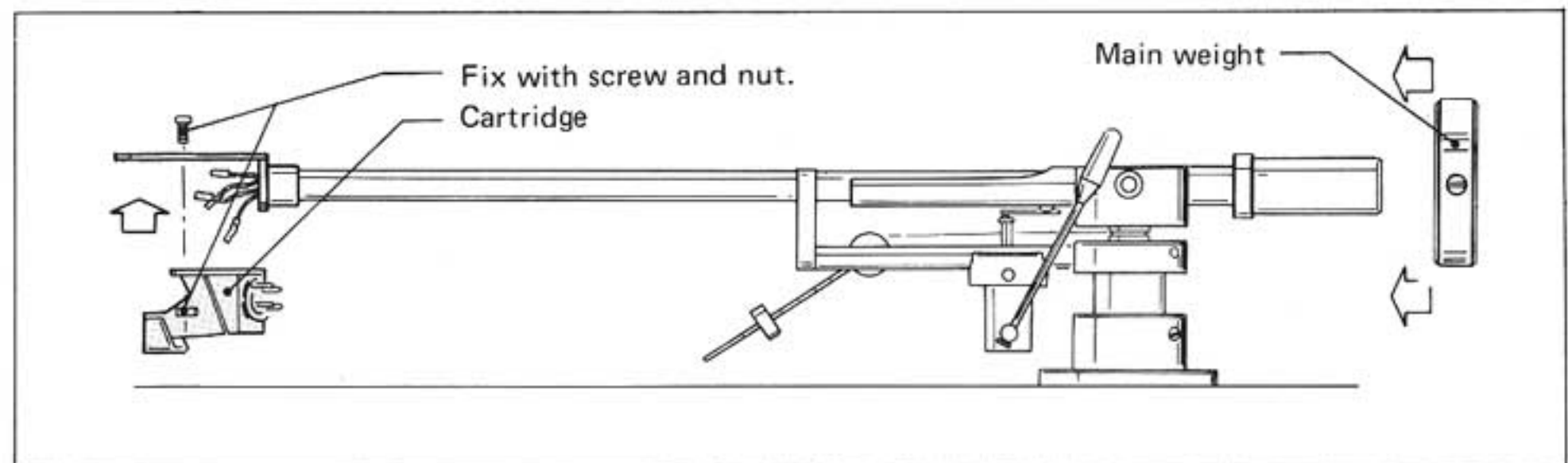
#### [CARTRIDGE]

The PD272 is not provided with a cartridge. Choose a desirable one, and install it to the shell. Four lead-wires are available at the shell, which are required to connect

to the cartridge. Connection should be done by color-discrimination as per the following guide:

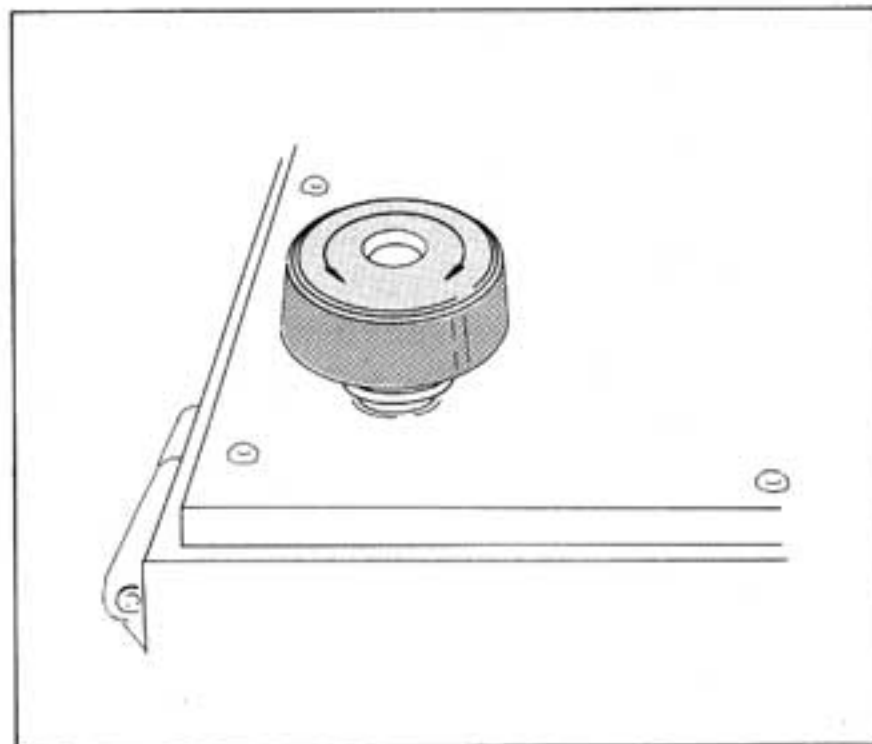
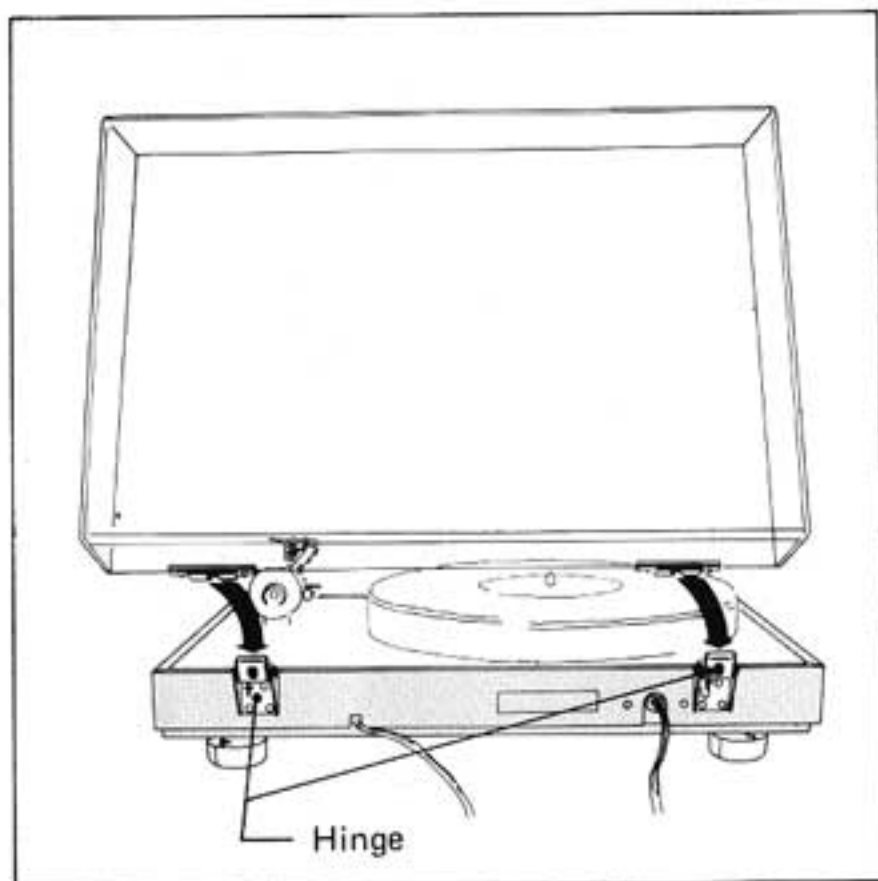
- WHITE L(+) (Hot-side of LEFT channel)
- BLUE L(-) (Earth-side of LEFT channel)
- RED R(+) (Hot-side of RIGHT channel)
- GREEN R(-) (Earth-side of RIGHT channel)

Then install the cartridge to the shell by use of screws and nuts supplied with the cartridge. At this time, the over-hang adjustment should be done. This is to obtain a certain distance (15mm for the PD272) between the center of motor spindle and the needle of the cartridge. Two screw-holes, whose center is positioned 9mm from the needle-point, are provided on the shell, and  $\pm 2$ mm is allowable for over-hang adjustment.



### 3. Dust Cover

This dust cover is detachable. For mounting, insert the projection on the hinge of the turntable into that of the dust cover, then slide the dust cover as per the drawing. Hold the dust cover at the hinge and fix it firmly. To remove the cover, slide it in the reverse direction.



### 4. Insulator

Four insulators are provided at each bottom corner of the turntable, and the height is adjustable independently. The height is pre-set at its lowest position at the factory, and therefore render independent adjustment to obtain a proper level, if necessary.

## ADJUSTMENT OF TONEARM

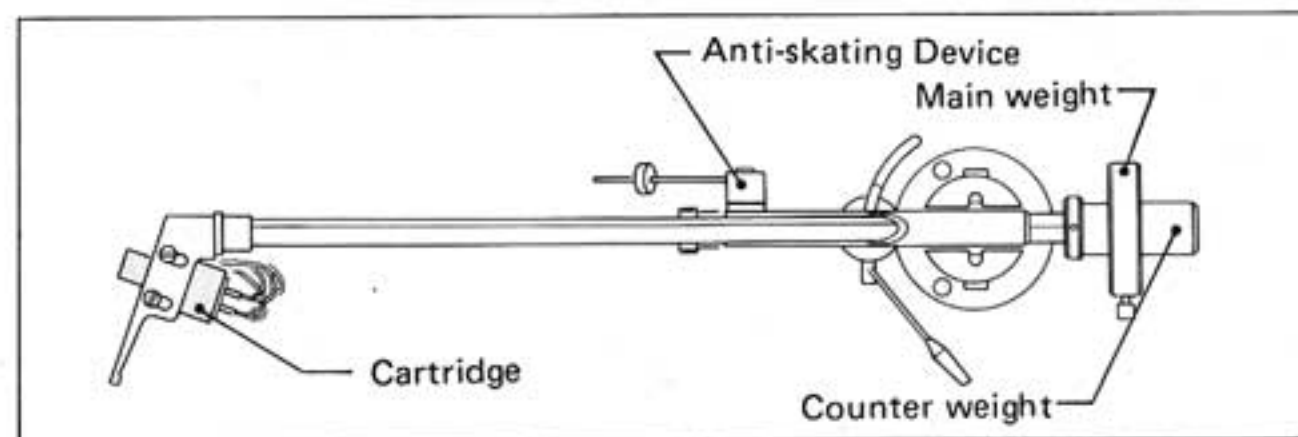
### 1. Horizontal-Balance

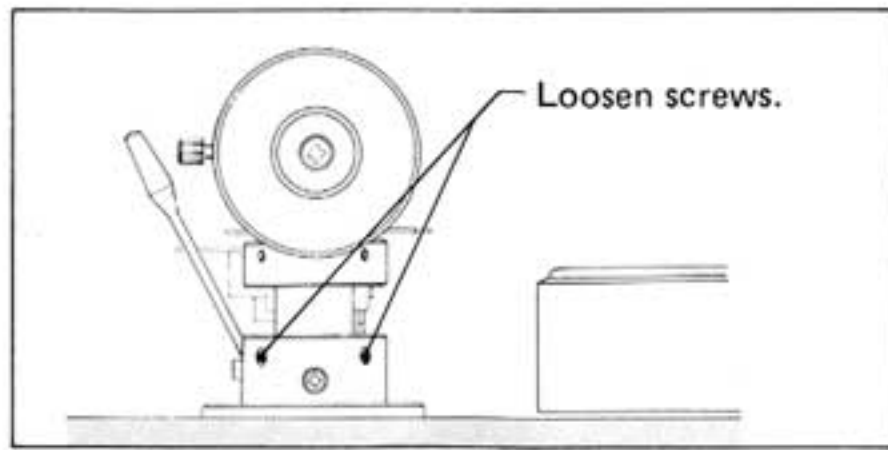
#### Adjustment

Remove the tonearm from the arm-rest to let it be free. To protect the stylus, hold the shell by fingers. Now rotate the rear part of the counter-weight until the "0" indication comes to the index line on the tonearm, where rotation stops. Then slide the main-weight back and forth to realize horizontal balance of the tonearm. At this time, loosen the screw on the weight, and fix it again when finished.

### 2. Tonearm Height Adjustment

Adjust the height of tonearm in accordance with that of the cartridge installed. The adjustable range is from 13.5mm to 20.5mm. Loosen the Tonearm Height Adjustment Screws, and set the tonearm completely horizontal when the needle is at rest on the disc surface. Be careful not to damage the disc or the cartridge itself.





### 3. Stylus Pressure Adjustment

Rotate the latter part of the counter-weight in the direction that the weight shifts to this side (counter-clockwise direction, seen from front), being careful not to move the main-weight. Thus, obtain the necessary stylus pressure. The stylus pressure can be adjusted from 0g to 3g for cartridge weights between 4g to 11g.

### 4. Anti-skating Adjustment

The value of skating-force differs by the form of the stylus-tip of a cartridge, the material of the disc, etc.

When the canceller-weight of the PD272 is set to the root, it corresponds to 0.5g stylus pressure. And it corresponds to heavier pressure as the weight approaches the tip of the bar. One scale is equivalent to 0.5g increment. Therefore, choose an appropriate position according to the stylus pressure of the cartridge.

## NAME AND USAGE OF EACH PART

### 1. AC Power Cord

Connect the AC plug at the end of the AC power cord to a wall socket in your listening room or to an extra AC outlet of an audio amplifier.

### 2. Phono Pin-Plug Cord

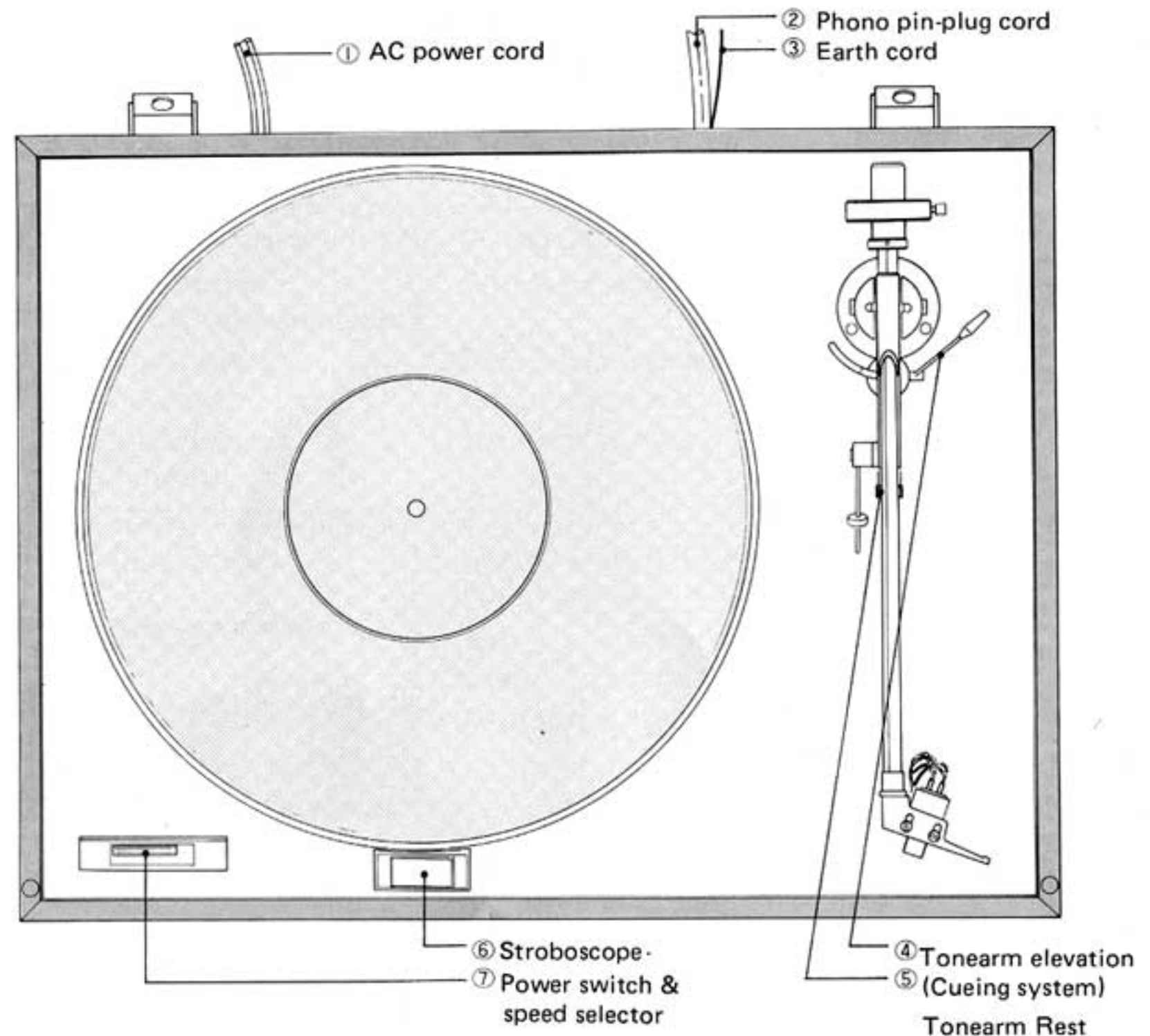
Connect the pin-plug to a PHONO terminal of the audio amplifier.

### 3. Earth Cord

Connect this cord to an earth terminal (GND) of the audio amplifier.

### 4. Tonearm Elevation (Cueing System)

This moves the tonearm up and down by means of hydro-pressure. With the lever lifted up, bring the tonearm towards the disc so that the stylus-tip is above the groove of the disc, and then lower the lever. The tonearm will come down slowly and smoothly until the stylus is in the groove. When the



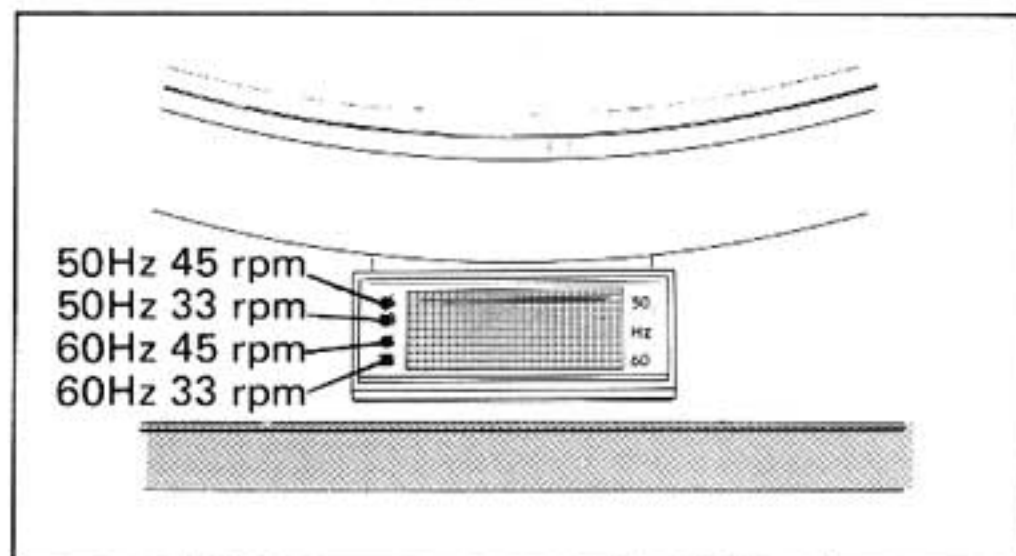
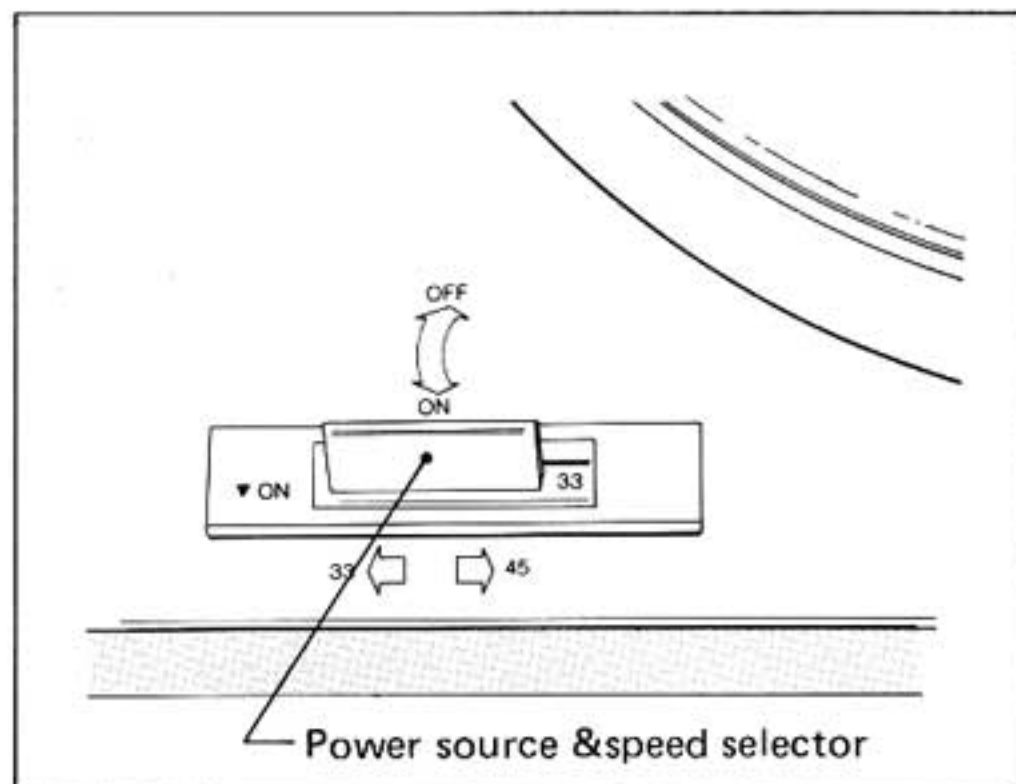
lever is lifted up, the tonearm will gently come up from the surface. Now it is possible to reset the tonearm at the arm-rest without damaging the disc.

### 5. Tonearm Rest

This is provided to hold the tonearm when no playback is in progress. The tonearm clamp is also provided to prevent the stylus from any accidental damage.

### 6. Power Switch & Speed Selector

This switch offers two functions; ON-OFF of power and speed selection. Front-back motion is for power and right-left motion is for speed selection.



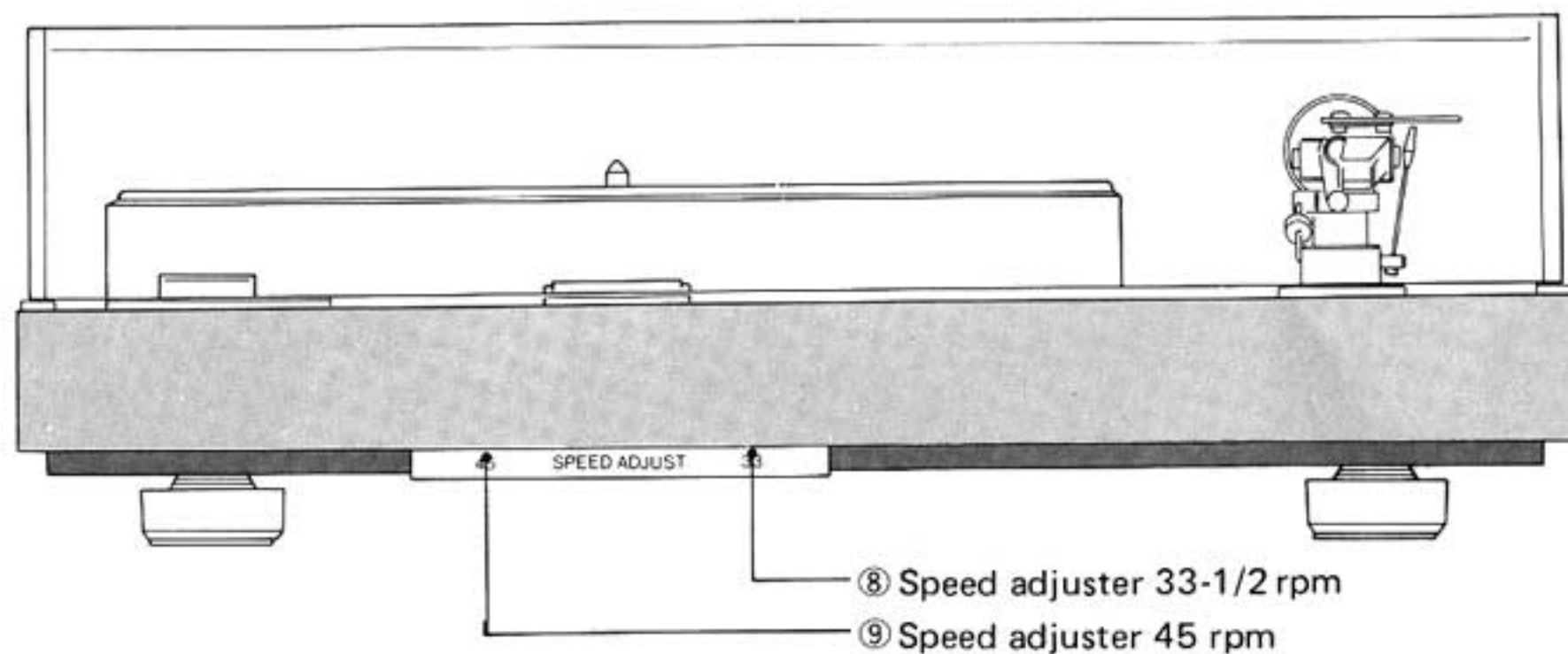
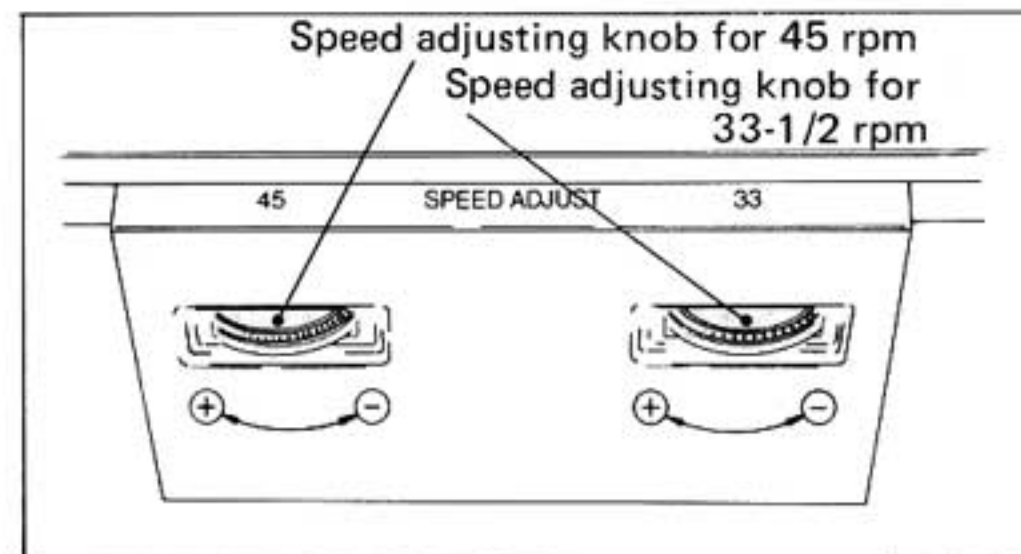
### 7. Stroboscope

The stroboscope is a mirror-reflex type. Four bands are provided:

ed; 45 r.p.m., 33-1/3 r.p.m. for 60Hz, 45 r.p.m., 33-1/3 r.p.m. for 50Hz from top to bottom. The striped pattern appears motionless when accurate rotation speed is obtained.

### 8.9. Speed Adjusters

Accurate speed adjustment is possible by means of these adjusters. To adjust 33-1/3 r.p.m. set the Speed Selector Switch (6) at the "33" position, and then turn the Speed Adjuster knob (8), monitoring the flow of the stroboscope pattern relevant to the AC line frequency. While to adjust 45 r.p.m. set the Speed Selector Switch (6) at "45", then turn the knob (9). A clockwise turn



of the adjuster increases rotation speed, while it is decreased with a counter-clockwise turn. When the stroboscope pattern appears to be stationary, correct rotation speed has been obtained. Before making this adjustment, be sure to check the mains line frequency, i.e., 60Hz or 50Hz.

## SPECIFICATIONS

### [Phono Motor Section]

- \* Driving System: Direct-Drive System
- \* Motor: DC-servo brushless & slotless motor
- \* Turntable Platter: 30cm aluminium die-case  
(weight 1.8kgs including platter-mat)
- \* Rotation: 33-1/3 rpm, 45 rpm (2-speed)
- \* Adjustable Range of Rotation:  $\pm 4\%$
- \* S/N Ratio: Better than 60dB (IEC-B)
- \* Wow & Flutter: no more than 0.03% W.R.M.S.

### [Tonearm Section]

- \* Tonearm: Straight Arm of static balance type
- \* Effective Length: 240 mm
- \* Tracking Error:  $+2^{\circ}13'$ ,  $-1^{\circ}08'$
- \* Overhang: 15 mm
- \* Cartridge Weight: 4g – 11g
- \* Cartridge Height: 13.5mm – 20.5 mm
- \* Stylus Pressure: 0 – 3g (direct reading)
- \* Accessories: Anti-skate adjustment, Tonearm Elevation

### [Additional Features]

- \* Dust Cover: Detachable with semi-freestop hinge
- \* Insulator: Height adjustable
- \* Stroboscope: Mirror-reflex type.

### [General]

- \* Power Consumption: 5 W
- \* Dimensions: 472(W) x 152(H) x 348(D) mm  
(18-37/64" x 6" x 13-45/64")
- \* Weight: Net 10kgs (22 lbs.)  
Gross 12kgs (26.4 lbs.)

Specifications and appearance design are subject to possible change without notice.

## **LUX CORPORATION, JAPAN**

1-1, 1-CHOME, SHINSENRI-NISHIMACHI, TOYONAKASHI,  
OSAKA, JAPAN PHONE: 06-834-2222 TELEX: J63694

## **LUX AUDIO OF AMERICA, LTD.**

160 DUPONT ST. PLAINVIEW, NEW YORK 11803 U.S.A.

Printed in Japan